

18A	COPY OF 17A CONVERTED ALL PARTS TO CADENCE	BAM	SH	BAM	SH	03/02/04
16A	ECO	BAM	SH	BAM	SH	23/12/03
REV/ISS	AMENDMENTS	DRAWN	CHKD	D. O.	APVD	DATE
1						
2						
3						
4						
5						
6						
7						
8						
9						
10						
11						
12						
13						
14						

© TAIT ELECTRONICS | A1

T8100 RECITER CONTROL

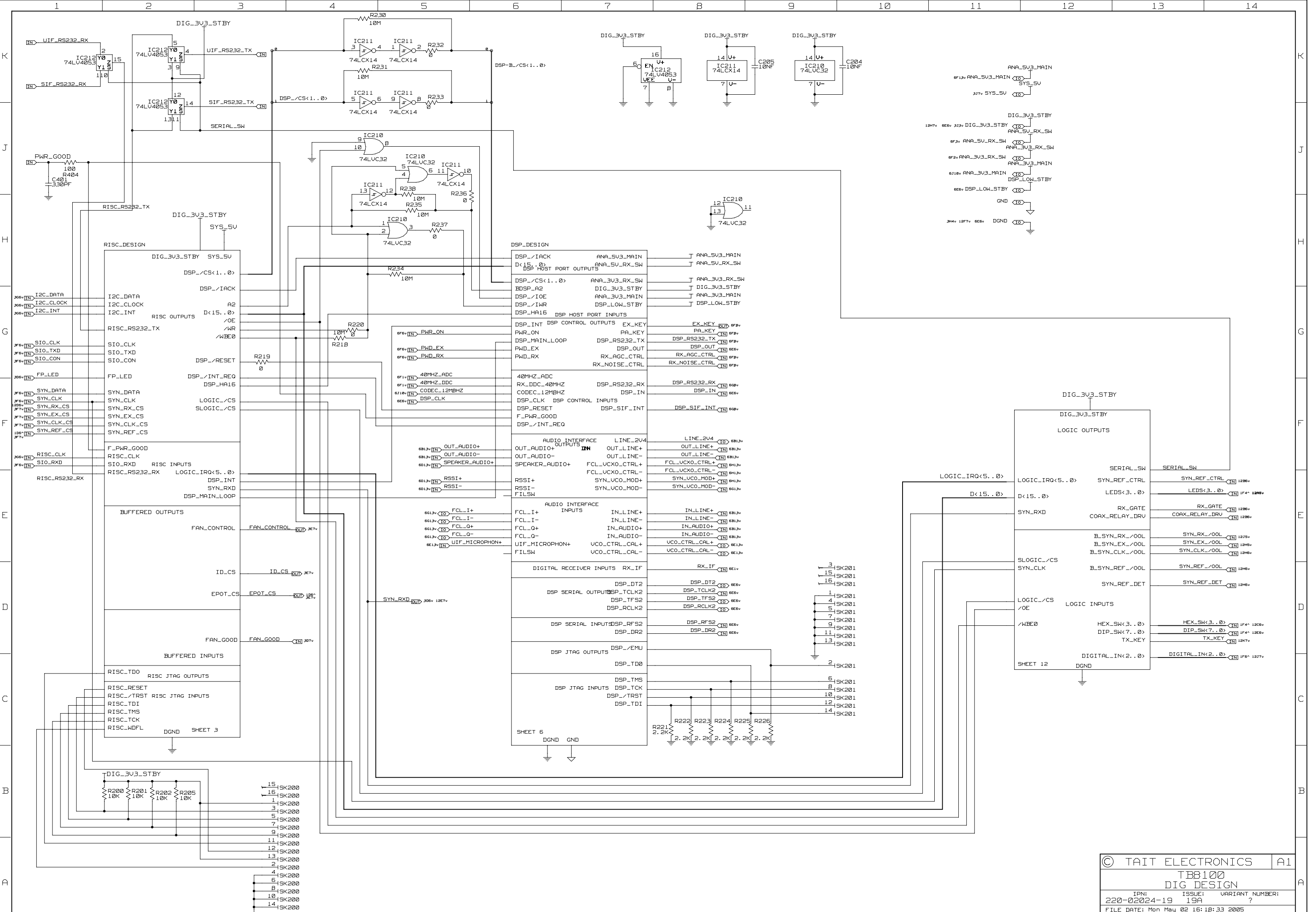
IPN: 220-02024-19 | ISSUE: 19A | VARIANT NUMBER: ?

FILE DATE: Mon May 02 16:18:31 2005

ENGINEER: SH | FILE NAME: 220_02024 | SHEET NUMBER: 1 OF 18

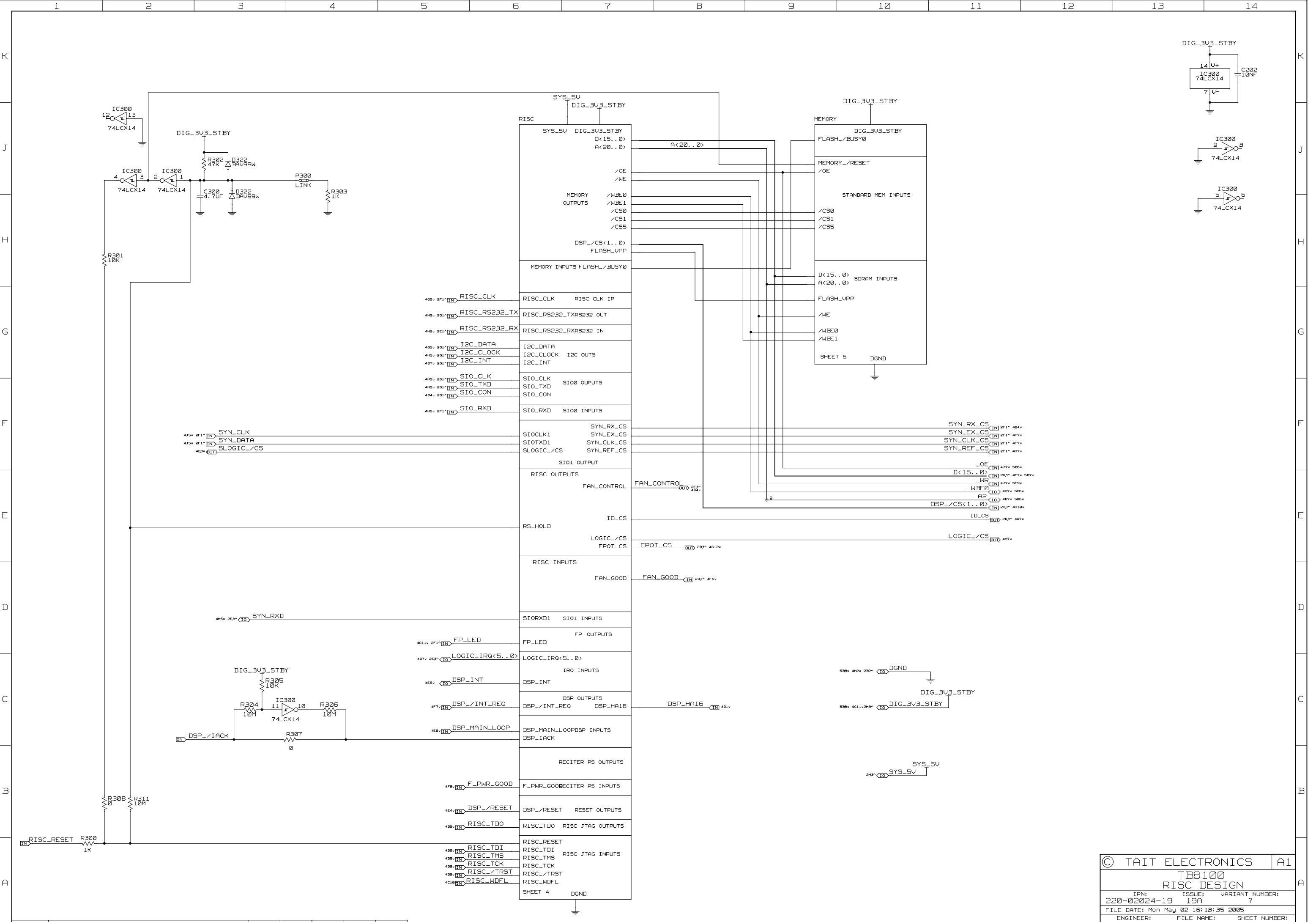
TOPFID A
FIDUCIAL

TOPFID B
FIDUCIAL



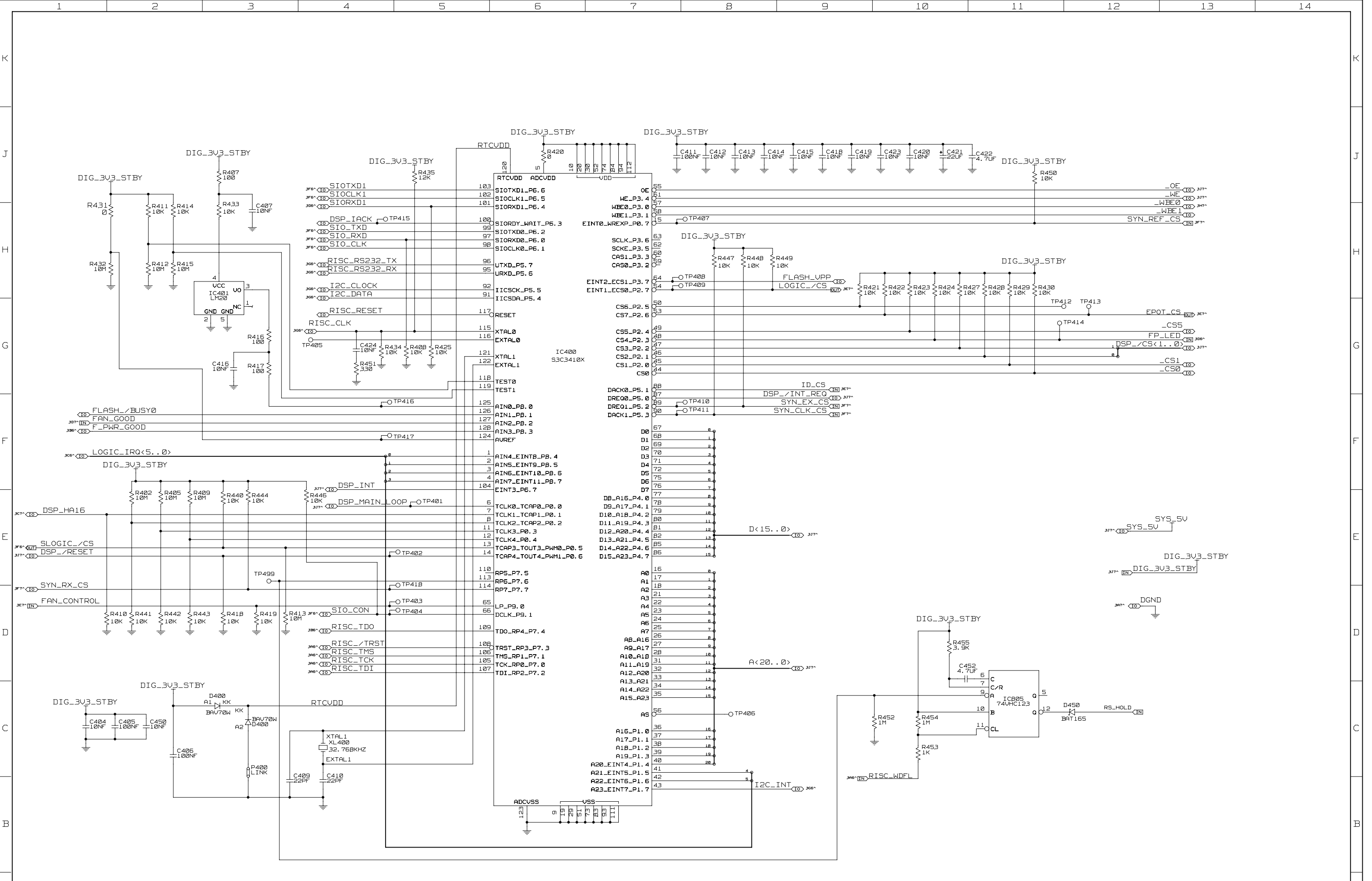
REV/ISS	AMENDMENTS	DRAWN	CHKD	D. O.	APVD	DATE
1						
2						
3						
4						
5						
6						
7						
8						
9						
10						
11						
12						
13						
14						

© TAIT ELECTRONICS		A1
T88100 DIG DESIGN		
IPN: 220-02024-19	ISSUE: 19A	VARIANT NUMBER: ?
FILE DATE: Mon May 02 16:18:33 2005		
ENGINEER: SH	FILE NAME: 220_02024	SHEET NUMBER: 2 OF 18



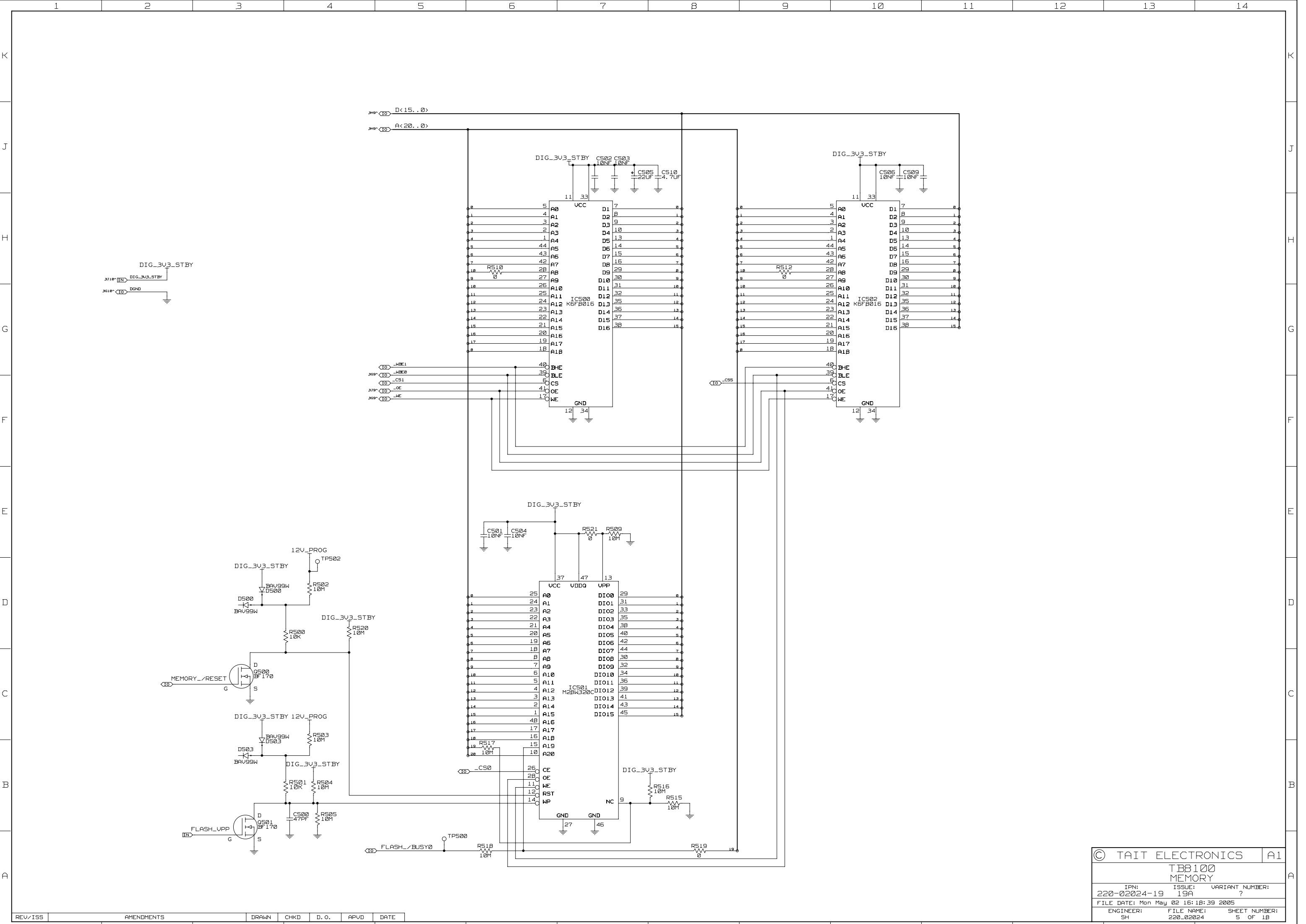
© TAIT ELECTRONICS		A1
TB8100 RISC DESIGN		
IPN: 220-02024-19	ISSUE: 19A	VARIANT NUMBER: ?
FILE DATE: Mon May 02 16:18:35 2005		
ENGINEER: SH	FILE NAME: 220_02024	SHEET NUMBER: 3 OF 18

REV/ISS	AMENDMENTS	DRAWN	CHKD	D.O.	APVD	DATE
1						
2						
3						
4						
5						



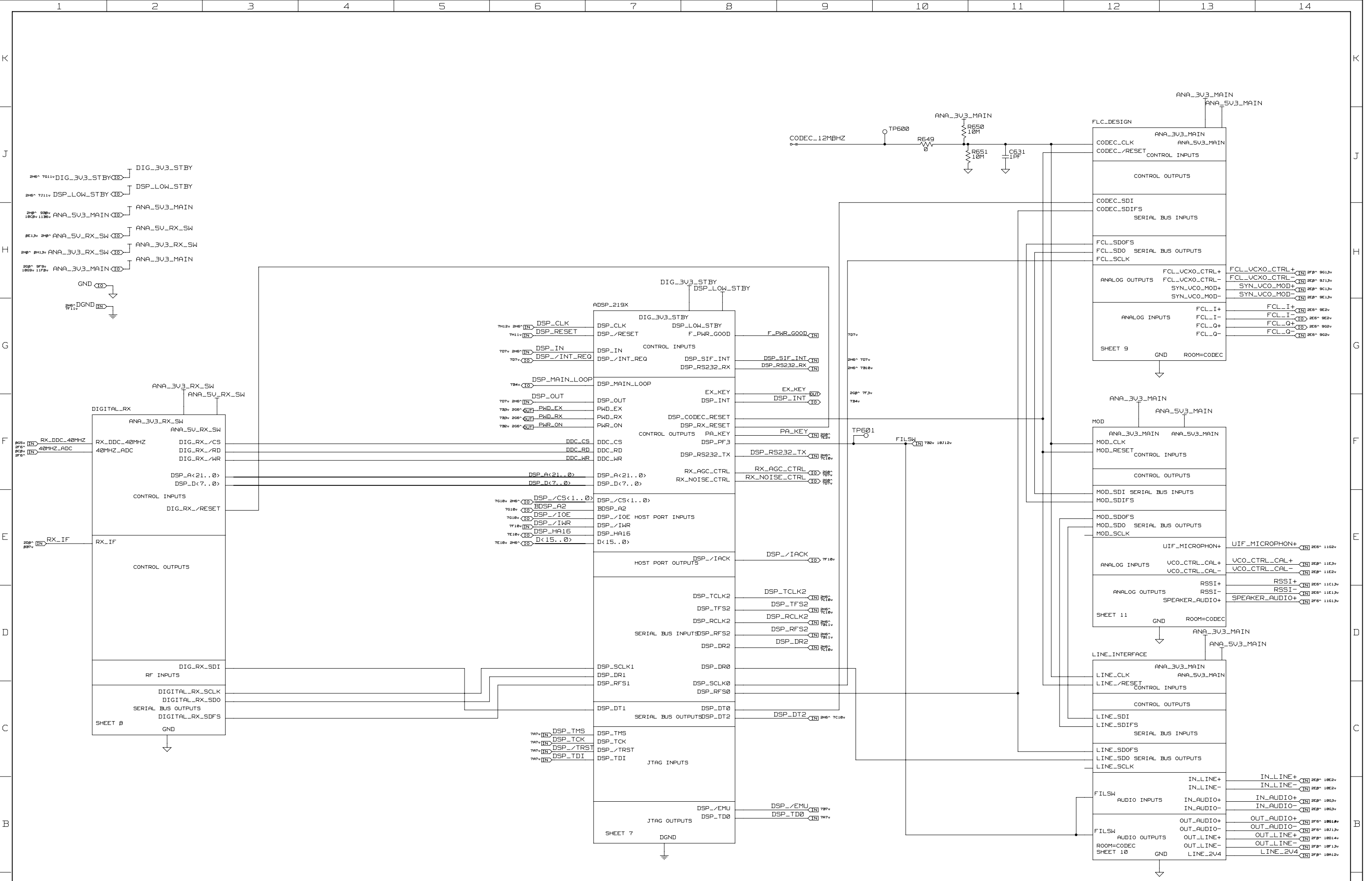
© TAIT ELECTRONICS		A1
T88100 RISC		
IPN: 220-02024-19	ISSUE: 19A	VARIANT NUMBER: ?
FILE DATE: Mon May 02 16:18:37 2005		
ENGINEER: SH	FILE NAME: 220_02024	SHEET NUMBER: 4 OF 18

REV/ISS	AMENDMENTS	DRAWN	CHKD	D. O.	APVD	DATE
1						
2						
3						
4						
5						
6						
7						
8						
9						
10						
11						
12						
13						
14						



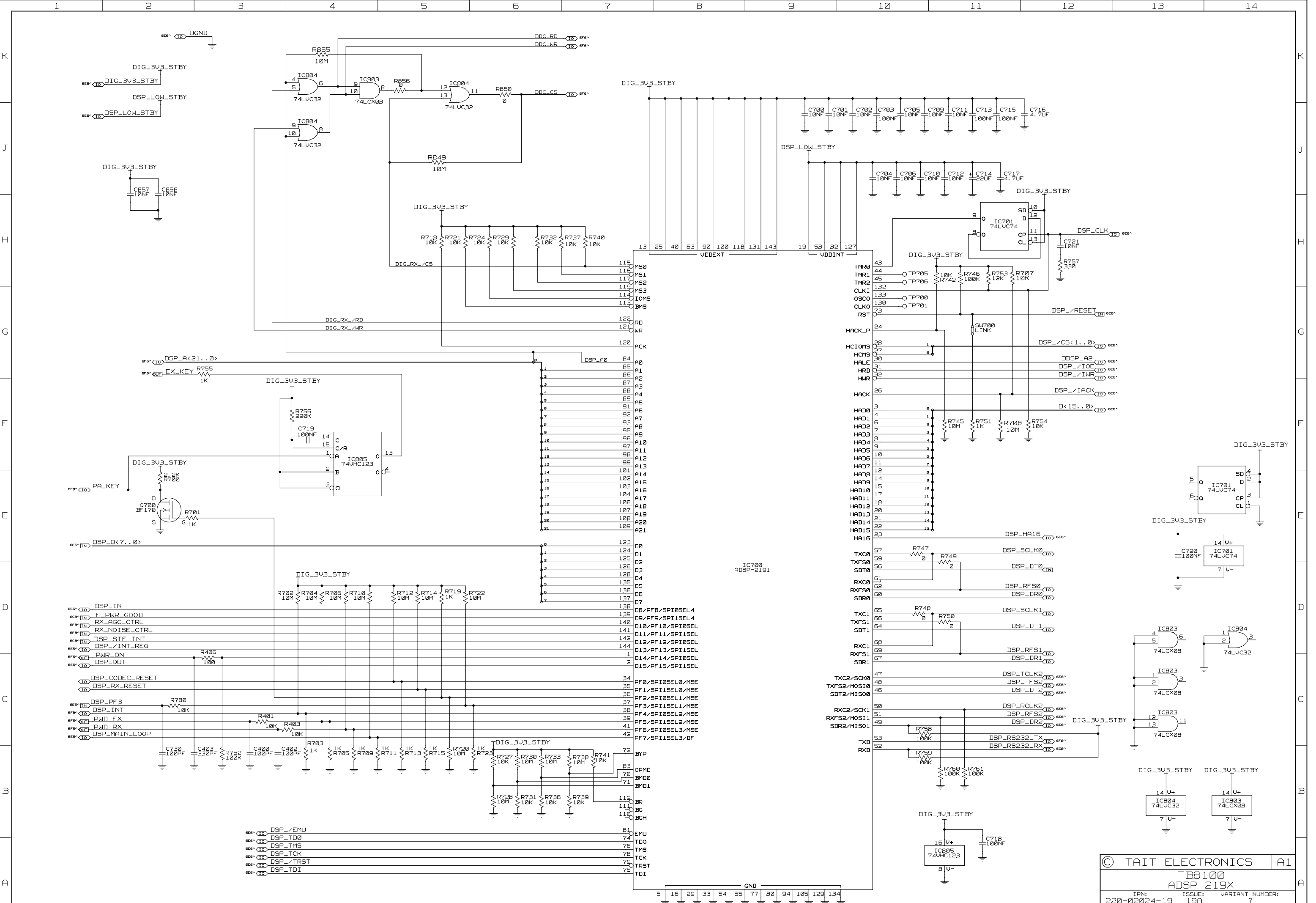
© TAIT ELECTRONICS		A1
TBS100 MEMORY		
IPN: 220-02024-19	ISSUE: 19A	VARIANT NUMBER: ?
FILE DATE: Mon May 02 16:18:39 2005		
ENGINEER: SH	FILE NAME: 220_02024	SHEET NUMBER: 5 OF 18

REV/ISS	AMENDMENTS	DRAWN	CHKD	D. O.	APVD	DATE
1						
2						
3						
4						
5						



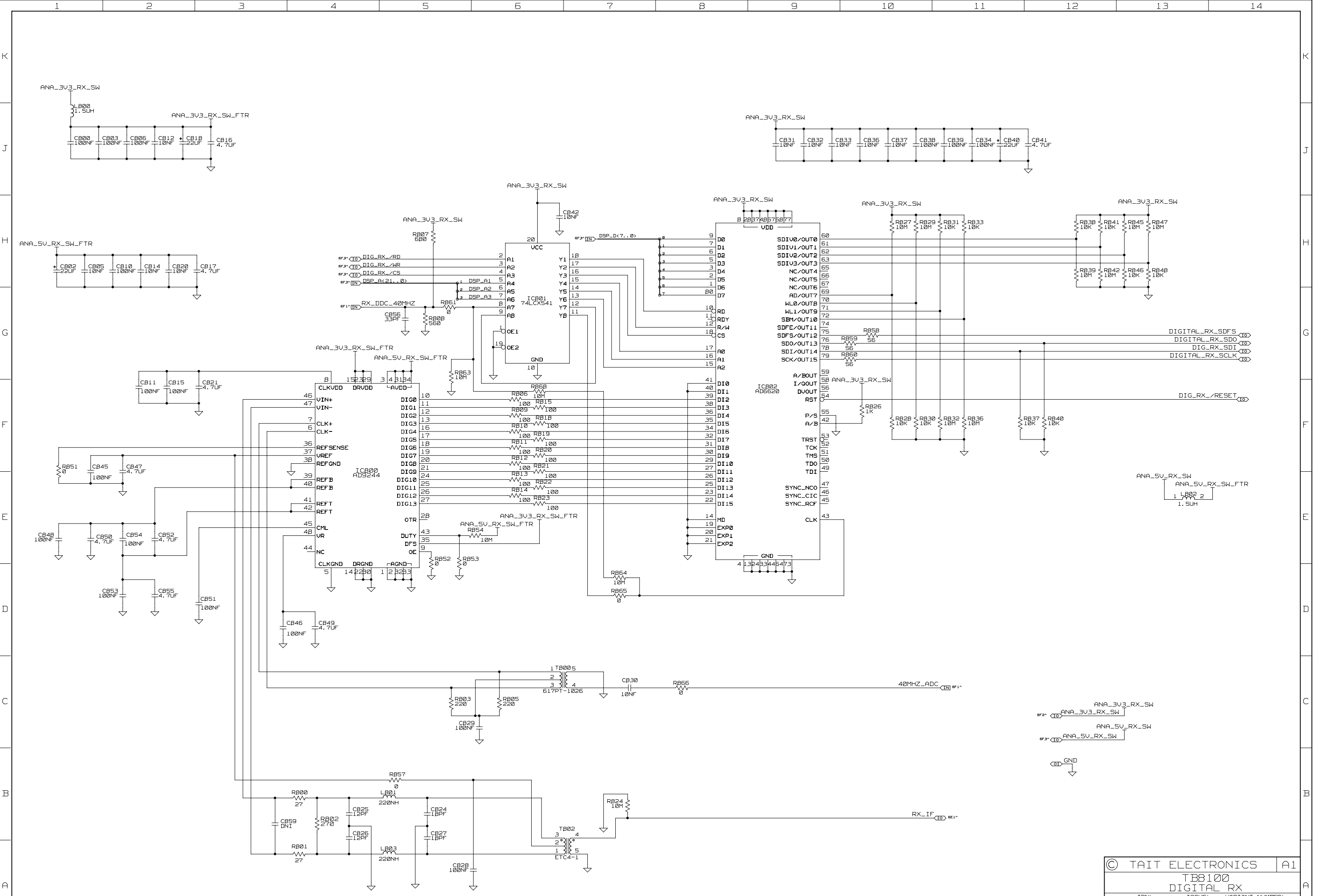
© TAIT ELECTRONICS | A1
 TB8100
 DSP DESIGN
 IPN: 220-02024-19 | ISSUE: 19A | VARIANT NUMBER: ?
 FILE DATE: Mon May 02 16:18:40 2005
 ENGINEER: SH | FILE NAME: 220_02024 | SHEET NUMBER: 6 OF 18

REV/ISS	AMENDMENTS	DRAWN	CHKD	D. O.	APVD	DATE
1						
2						
3						
4						
5						
6						
7						
8						
9						
10						
11						
12						
13						
14						



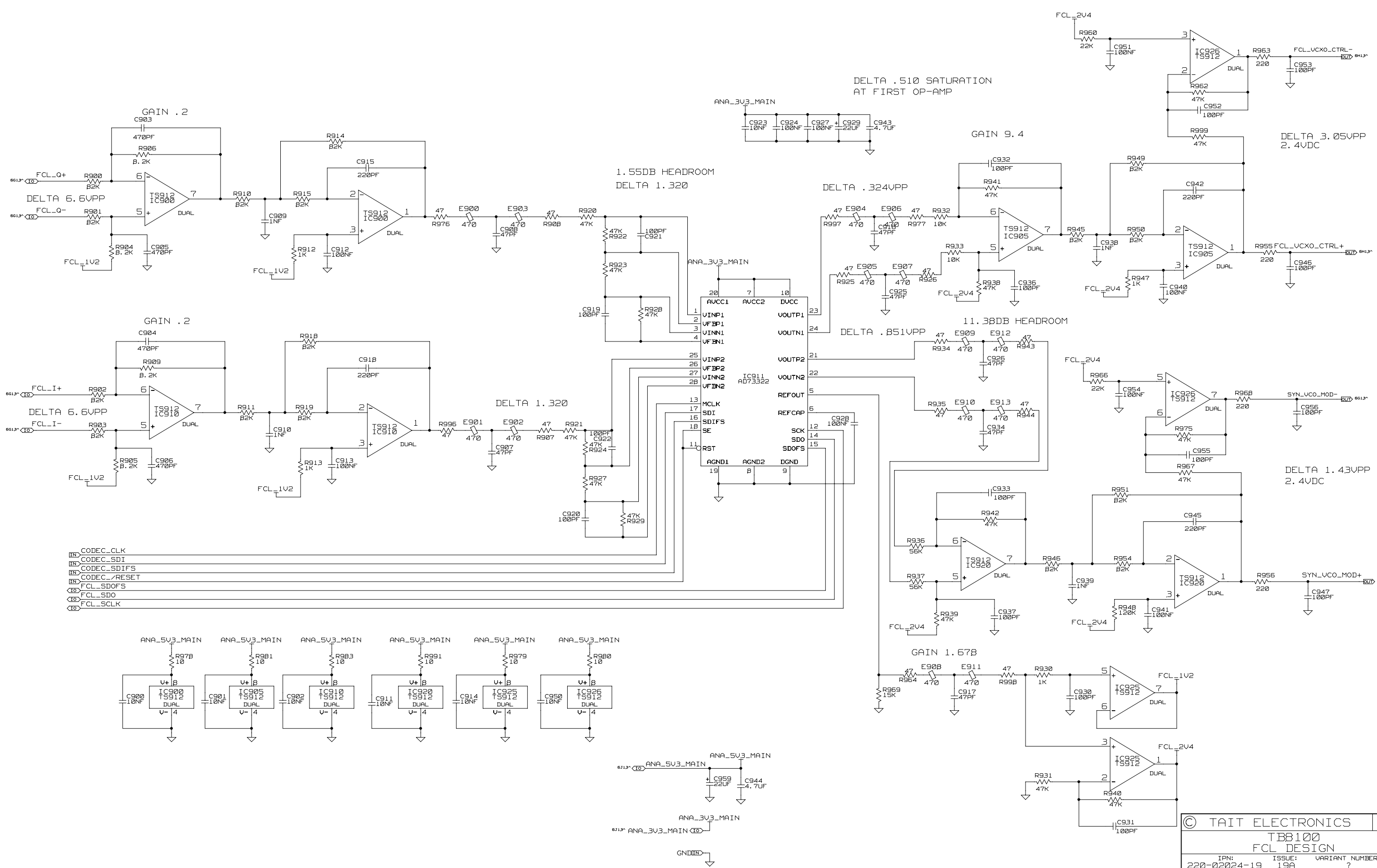
© TAIT ELECTRONICS | A1
 T88100
 ADSP 219X
 IPN: 220-02024-19 | ISSUE: 19A | VARIANT NUMBER: ?
 FILE DATE: Mon May 02 16:18:42 2005
 ENGINEER: SH | FILE NAME: 220_02024 | SHEET NUMBER: 7 OF 18

REV/ISS	AMENDMENTS	DRAWN	CHKD	D.O.	APVD	DATE
1						
2						
3						
4						
5						
6						
7						
8						
9						
10						
11						
12						
13						
14						



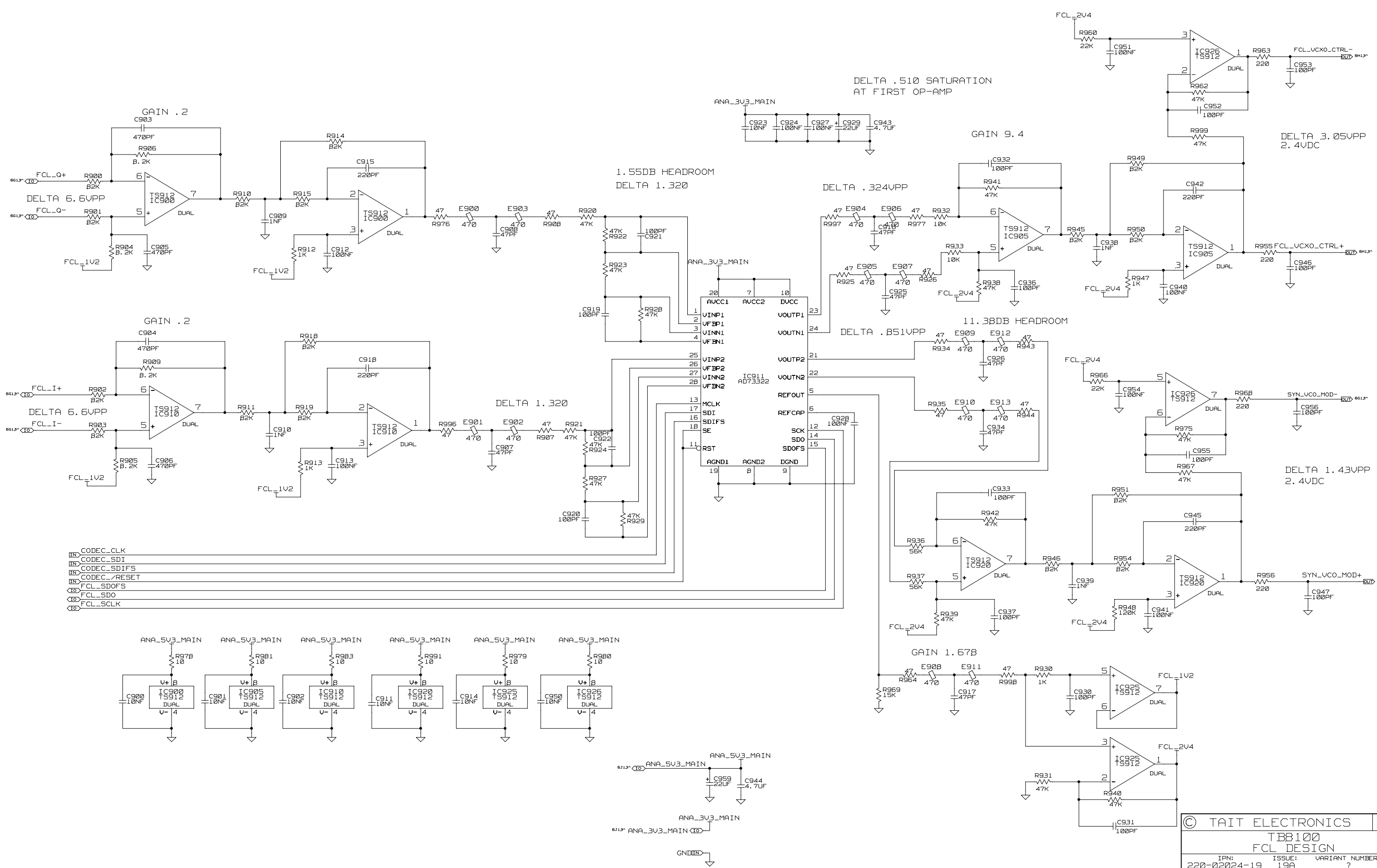
© TAIT ELECTRONICS		A1
TB8100		
DIGITAL RX		
IPN:	ISSUE:	VARIANT NUMBER:
220-02024-19	19A	?
FILE DATE: Mon May 02 16:18:45 2005		
ENGINEER:	FILE NAME:	SHEET NUMBER:
SH	220_02024	B OF 1B

REV/ISS	AMENDMENTS	DRAWN	CHKD	D. O.	APVD	DATE
1						
2						
3						
4						
5						



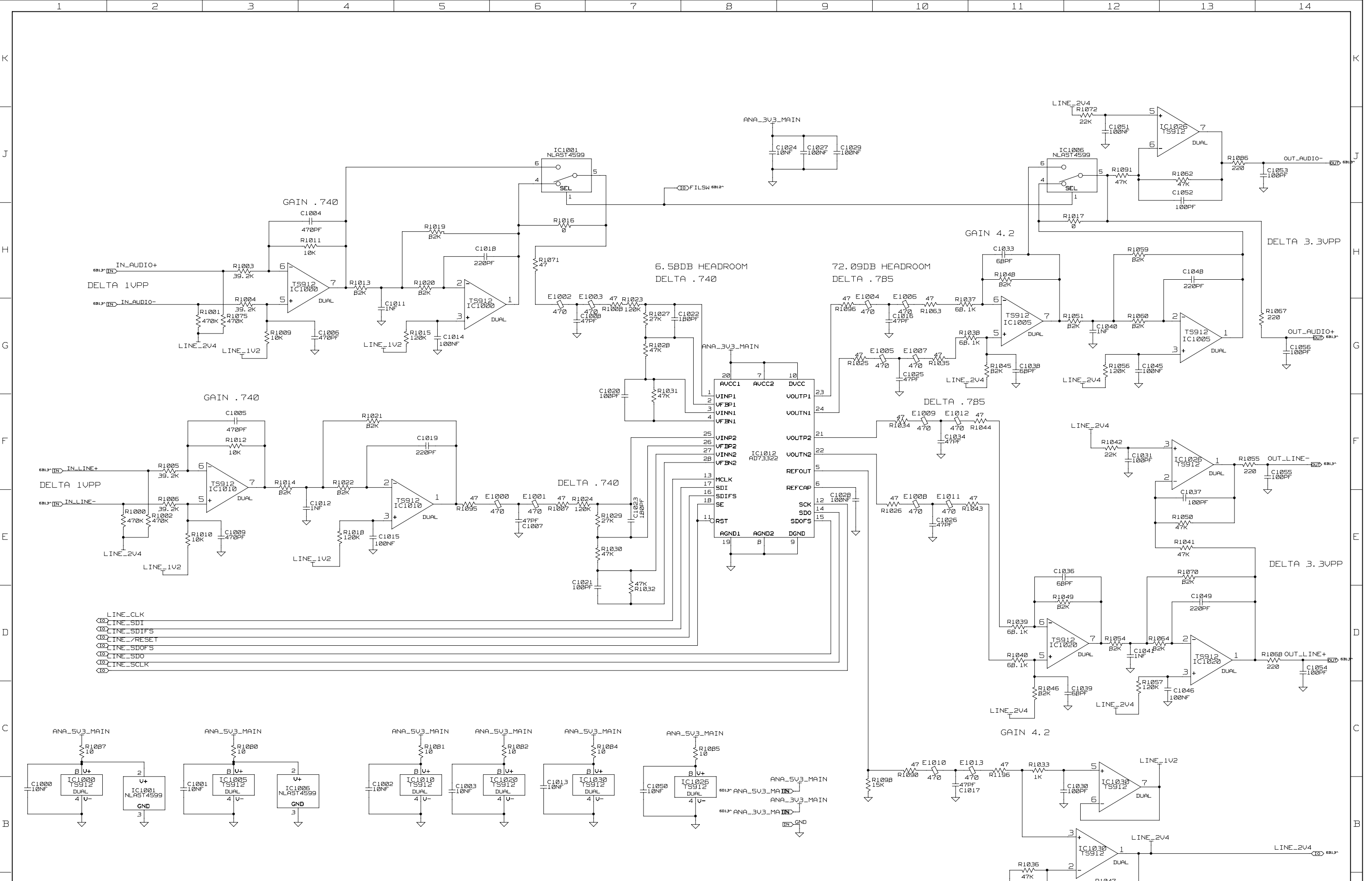
© TAIT ELECTRONICS		A1
TB8100		
FCL DESIGN		
IPN: 220-02024-19	ISSUE: 19A	VARIANT NUMBER: ?
FILE DATE: Mon May 02 16:18:47 2005	ENGINEER: SH	FILE NAME: 220_02024
		SHEET NUMBER: 9 OF 18

REV/ISS	AMENDMENTS	DRAWN	CHKD	D. O.	APVD	DATE
1						
2						
3						
4						
5						
6						
7						
8						
9						
10						
11						
12						
13						
14						



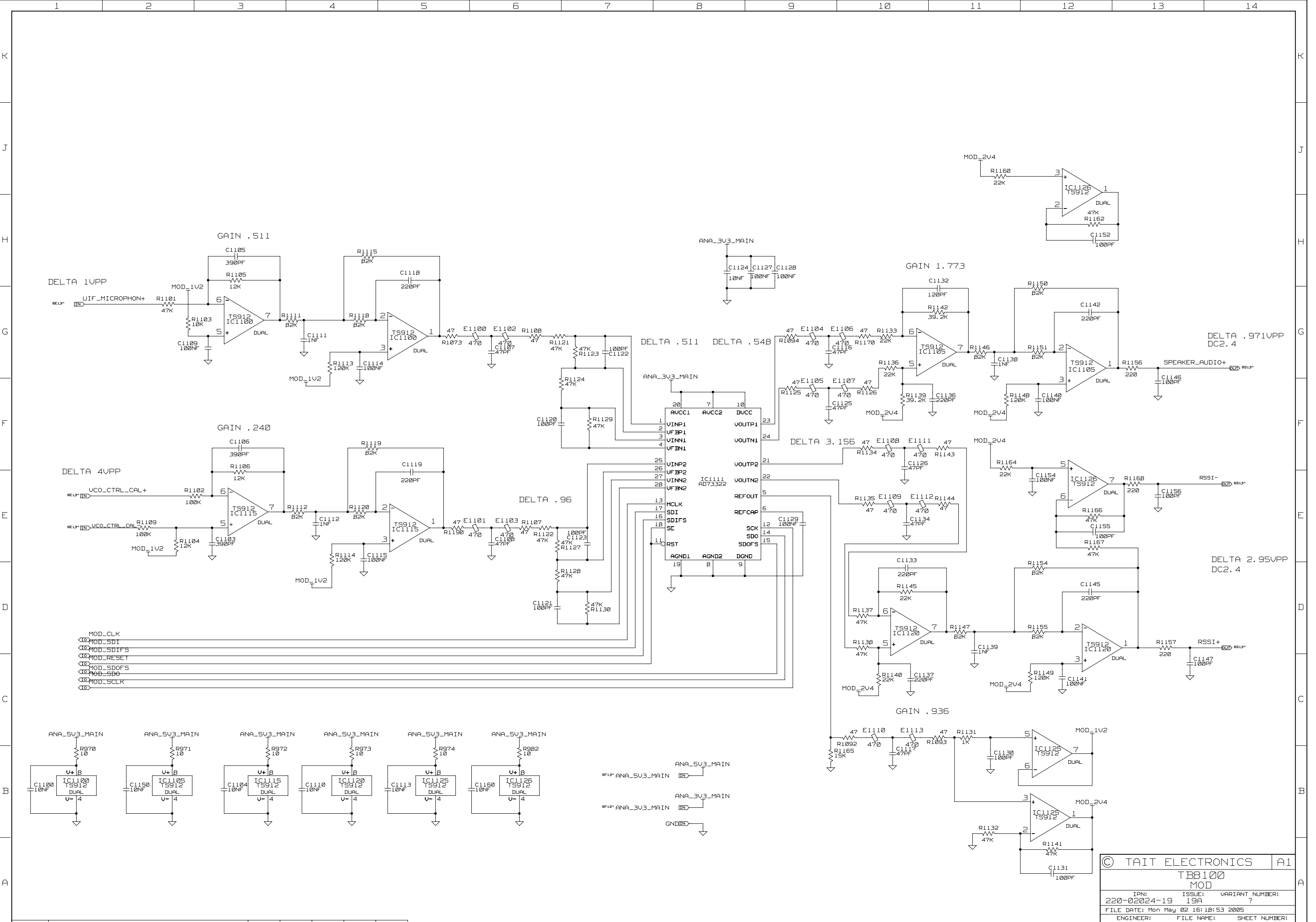
© TAIT ELECTRONICS		A1
TB8100 FCL DESIGN		
IPN: 220-02024-19	ISSUE: 19A	VARIANT NUMBER: ?
FILE DATE: Mon May 02 16:18:47 2005		
ENGINEER: SH	FILE NAME: 220_02024	SHEET NUMBER: 9 OF 18

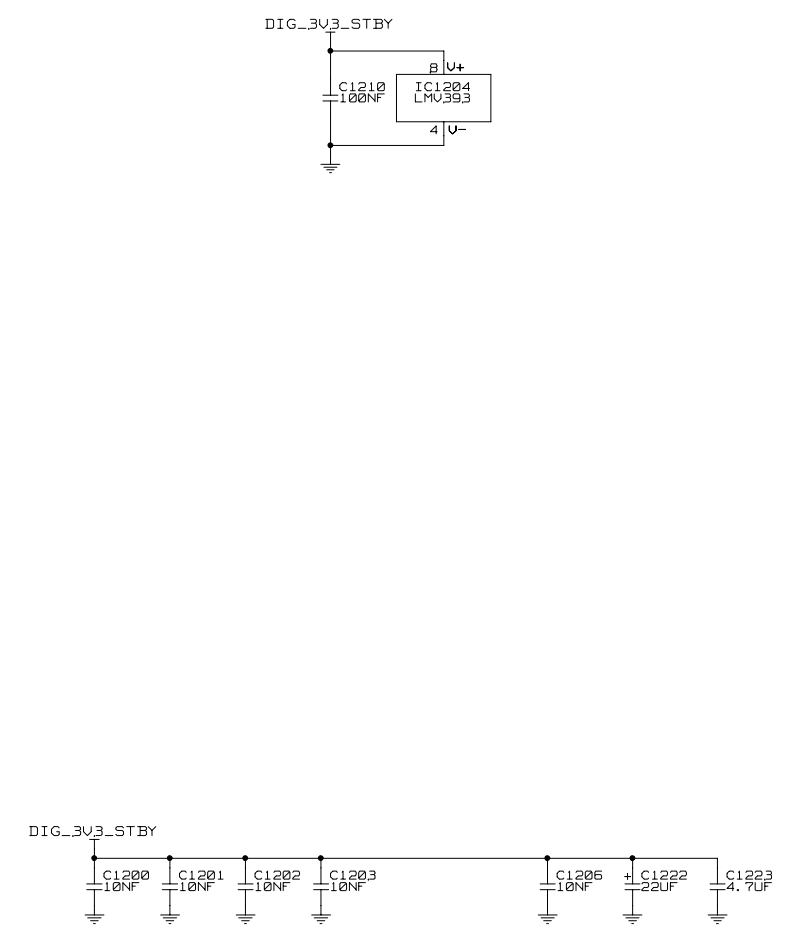
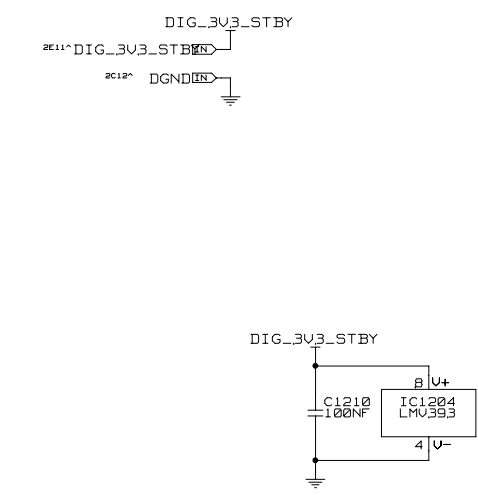
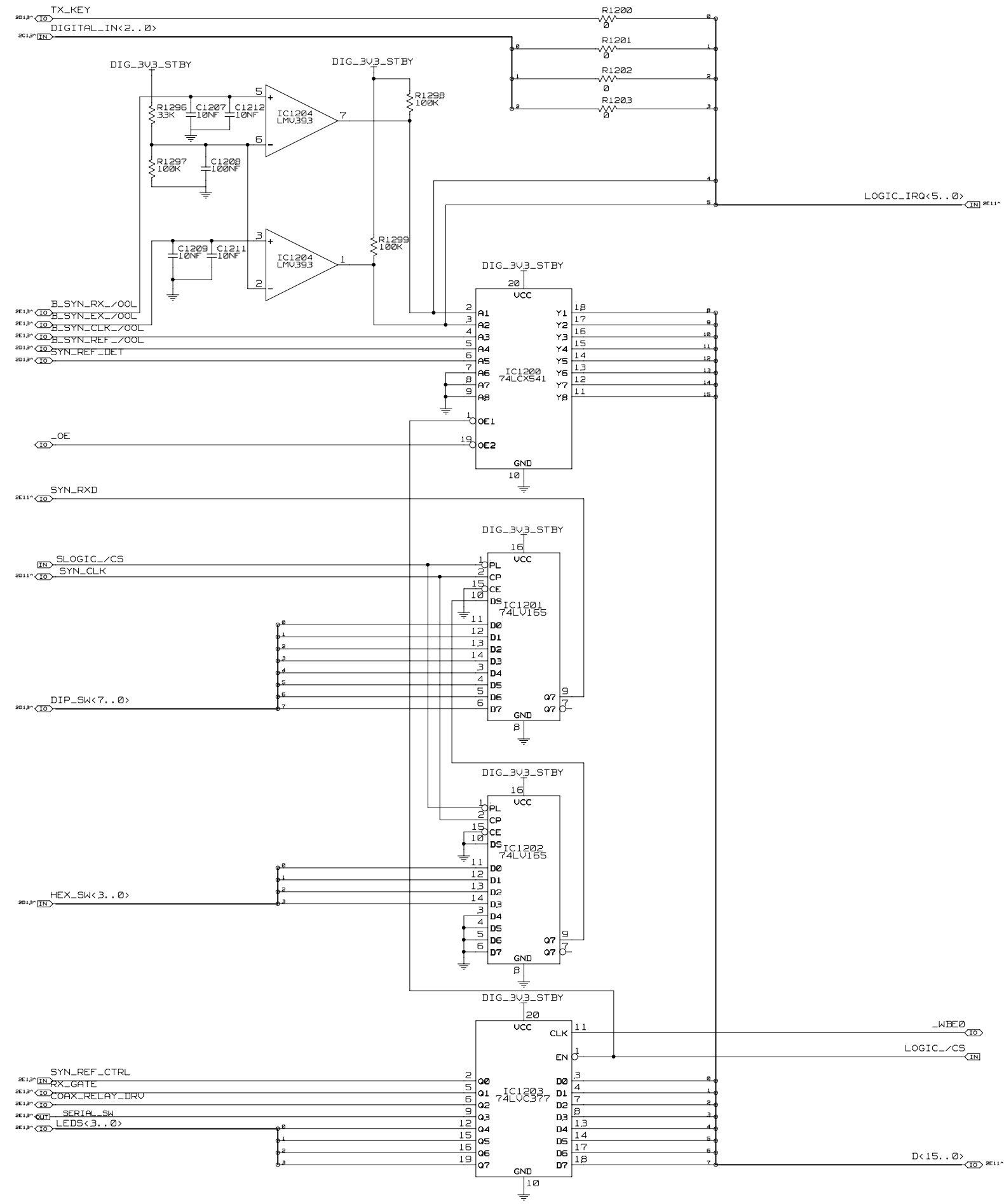
REV/ISS	AMENDMENTS	DRAWN	CHKD	D. O.	APVD	DATE
1						
2						
3						
4						
5						
6						
7						
8						
9						
10						
11						
12						
13						
14						



© TAIT ELECTRONICS | A1
TBS100
LINE INTERFACE
 IPN: 220-02024-19 | ISSUE: 19A | VARIANT NUMBER: ?
 FILE DATE: Mon May 02 16:18:50 2005
 ENGINEER: SH | FILE NAME: 220_02024 | SHEET NUMBER: 10 OF 10

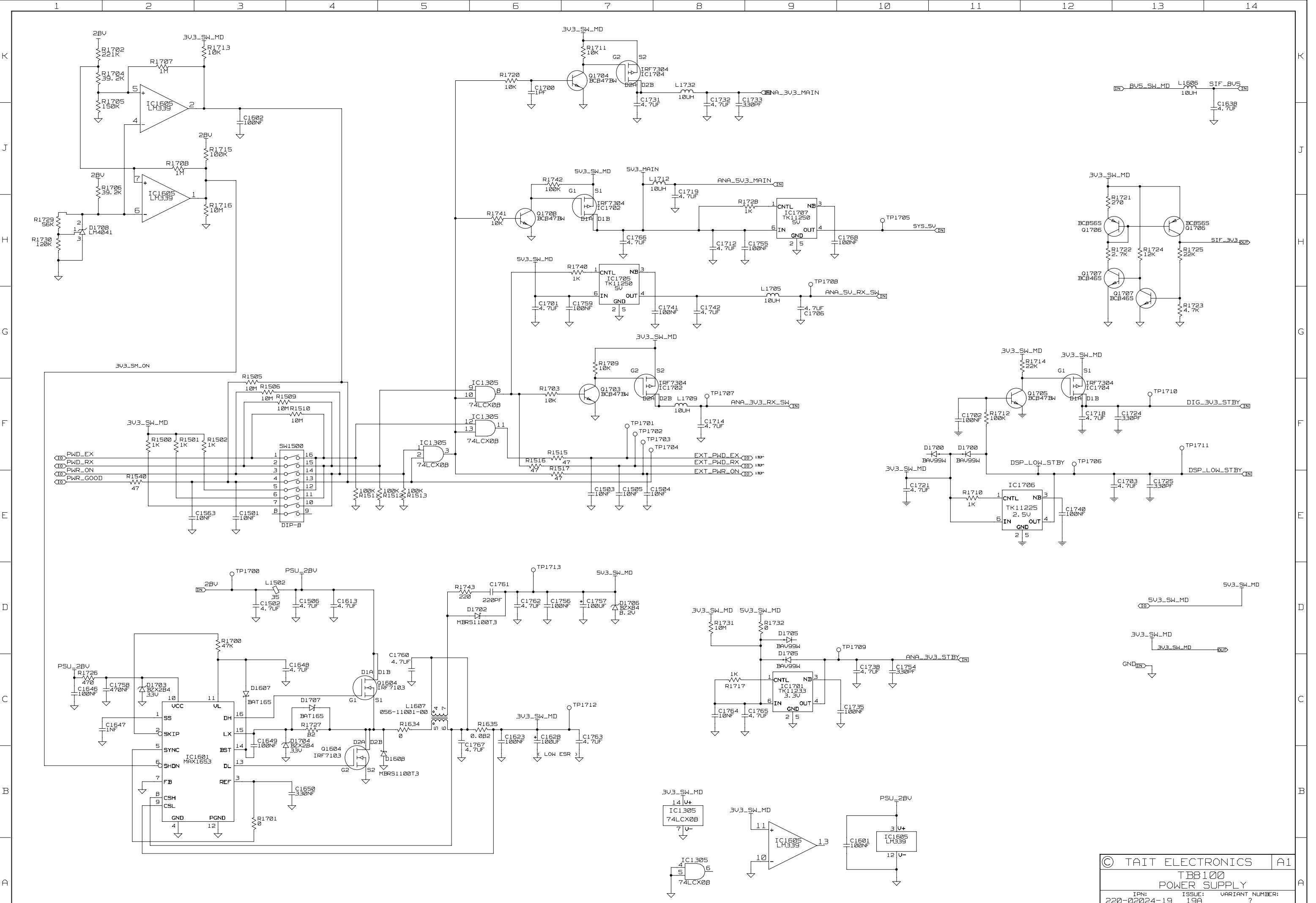
REV/ISS	AMENDMENTS	DRAWN	CHKD	D.O.	APVD	DATE
1						
2						
3						
4						
5						
6						
7						
8						
9						
10						
11						
12						
13						
14						





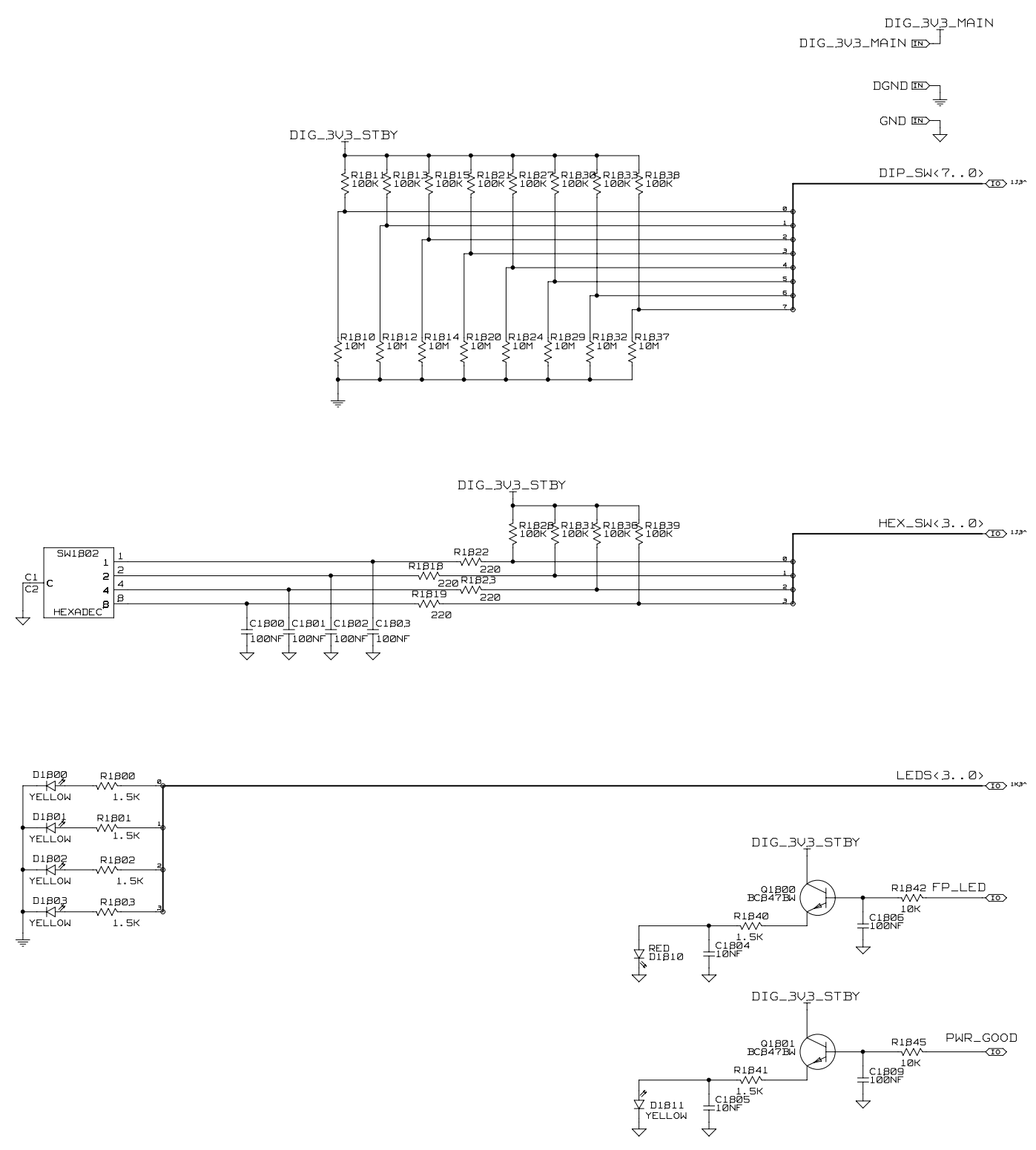
© TAIT ELECTRONICS		A1
TB8100		
LOGIC DESIGN		
IPN: 220-02024-19	ISSUE: 19A	VARIANT NUMBER: ?
FILE DATE: Mon May 02 16:18:54 2005		
ENGINEER: SH	FILE NAME: 220_02024	SHEET NUMBER: 12 OF 18

REV/ISS	AMENDMENTS	DRAWN	CHKD	D. O.	APVD	DATE
1						
2						
3						
4						
5						
6						
7						
8						
9						
10						
11						
12						
13						
14						



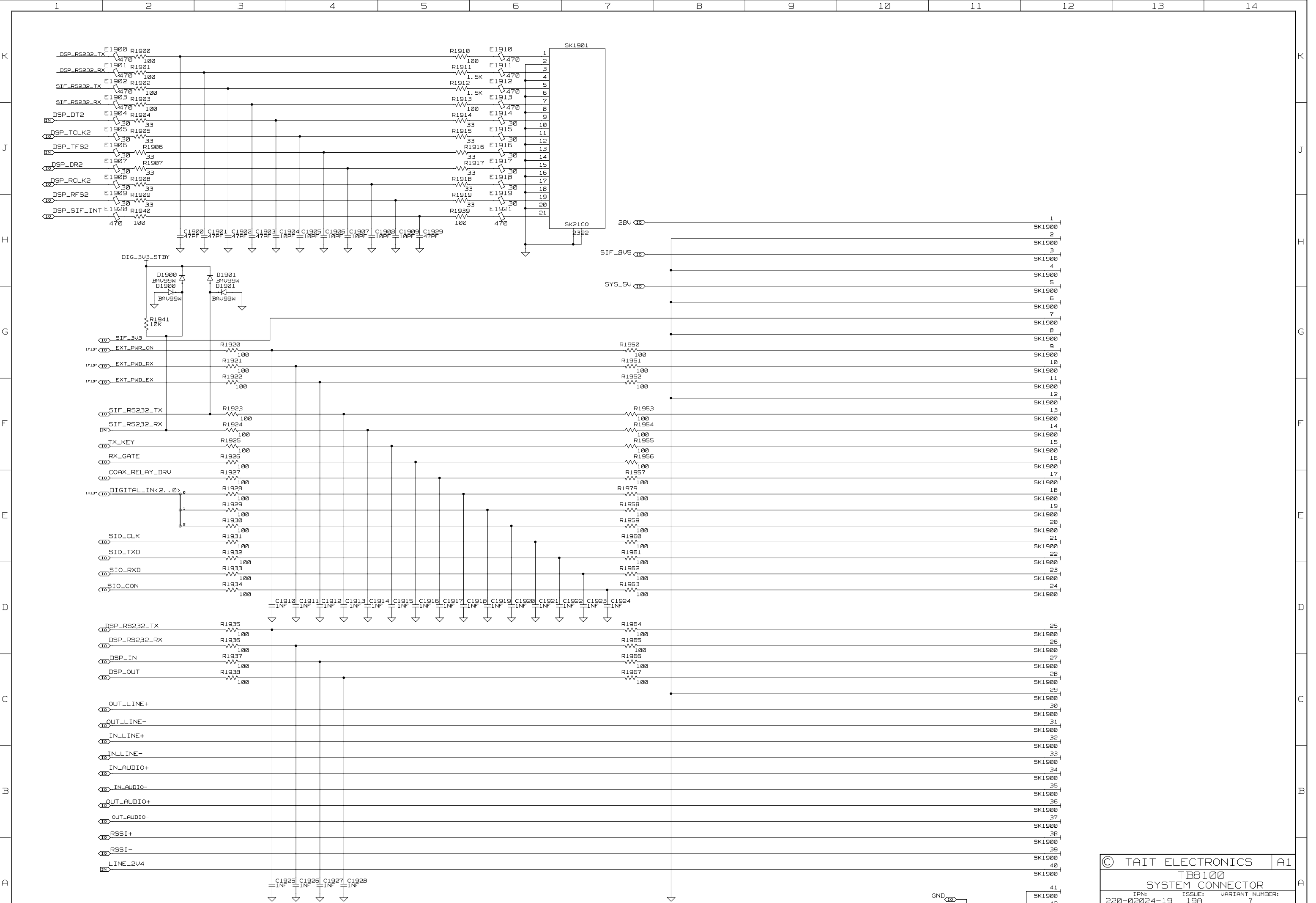
© TAIT ELECTRONICS		A1
TBS100 POWER SUPPLY		
IPN: 220-02024-19	ISSUE: 19A	VARIANT NUMBER: ?
FILE DATE: Mon May 02 16:18:57 2005		
ENGINEER: SH	FILE NAME: 220_02024	SHEET NUMBER: 13 OF 18

REV/ISS	AMENDMENTS	DRAWN	CHKD	D.O.	APVD	DATE
1						
2						
3						
4						
5						
6						
7						
8						
9						
10						
11						
12						
13						
14						



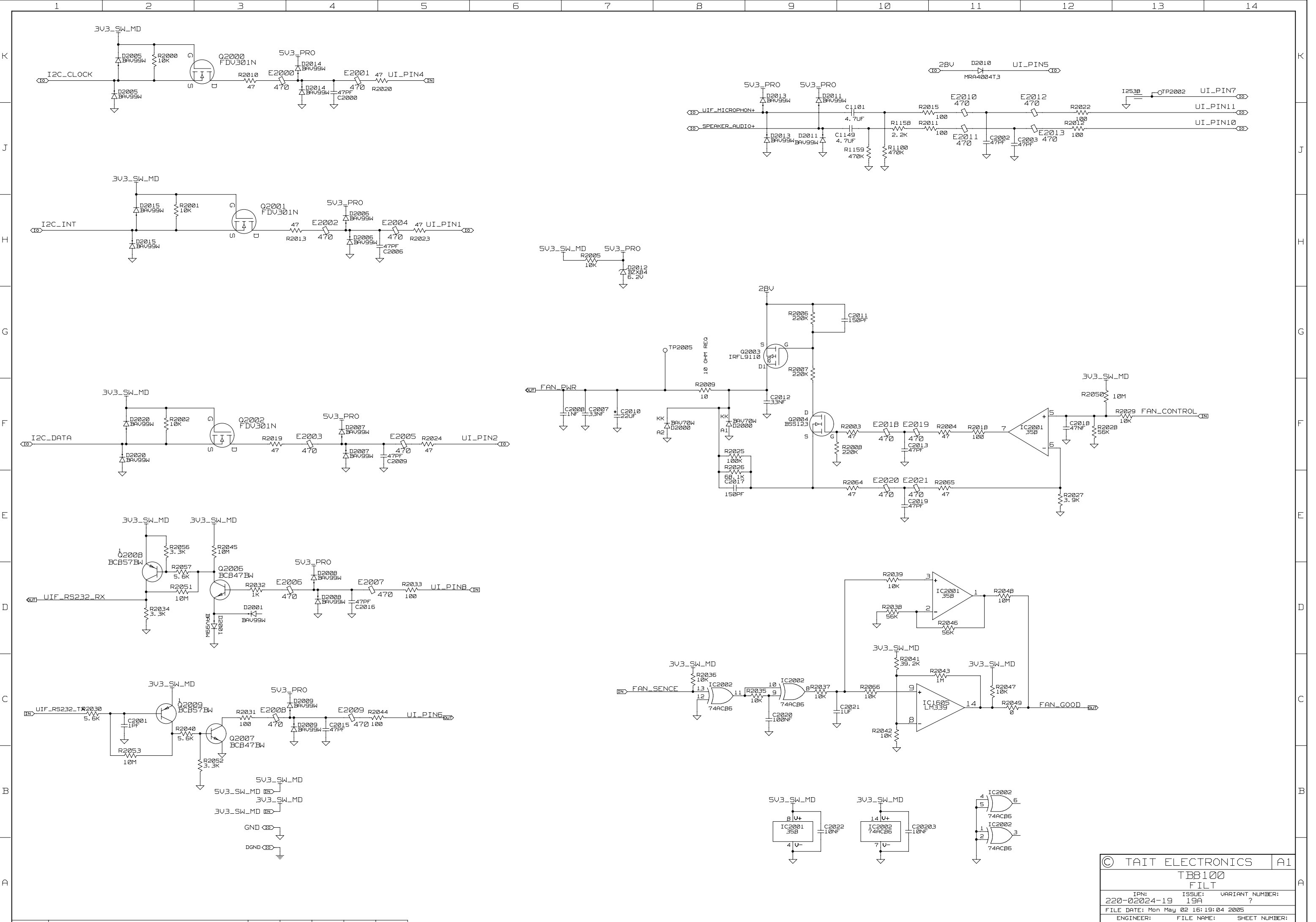
© TAIT ELECTRONICS		A1
TBS100 CONFIGURATION		
IPN: 220-02024-19	ISSUE: 19A	VARIANT NUMBER: ?
FILE DATE: Mon May 02 16:18:59 2005		
ENGINEER: SH	FILE NAME: 220_02024	SHEET NUMBER: 14 OF 18

REV/ISS	AMENDMENTS	DRAWN	CHKD	D. O.	APVD	DATE
1						
2						
3						
4						
5						
6						
7						
8						
9						
10						
11						
12						
13						
14						



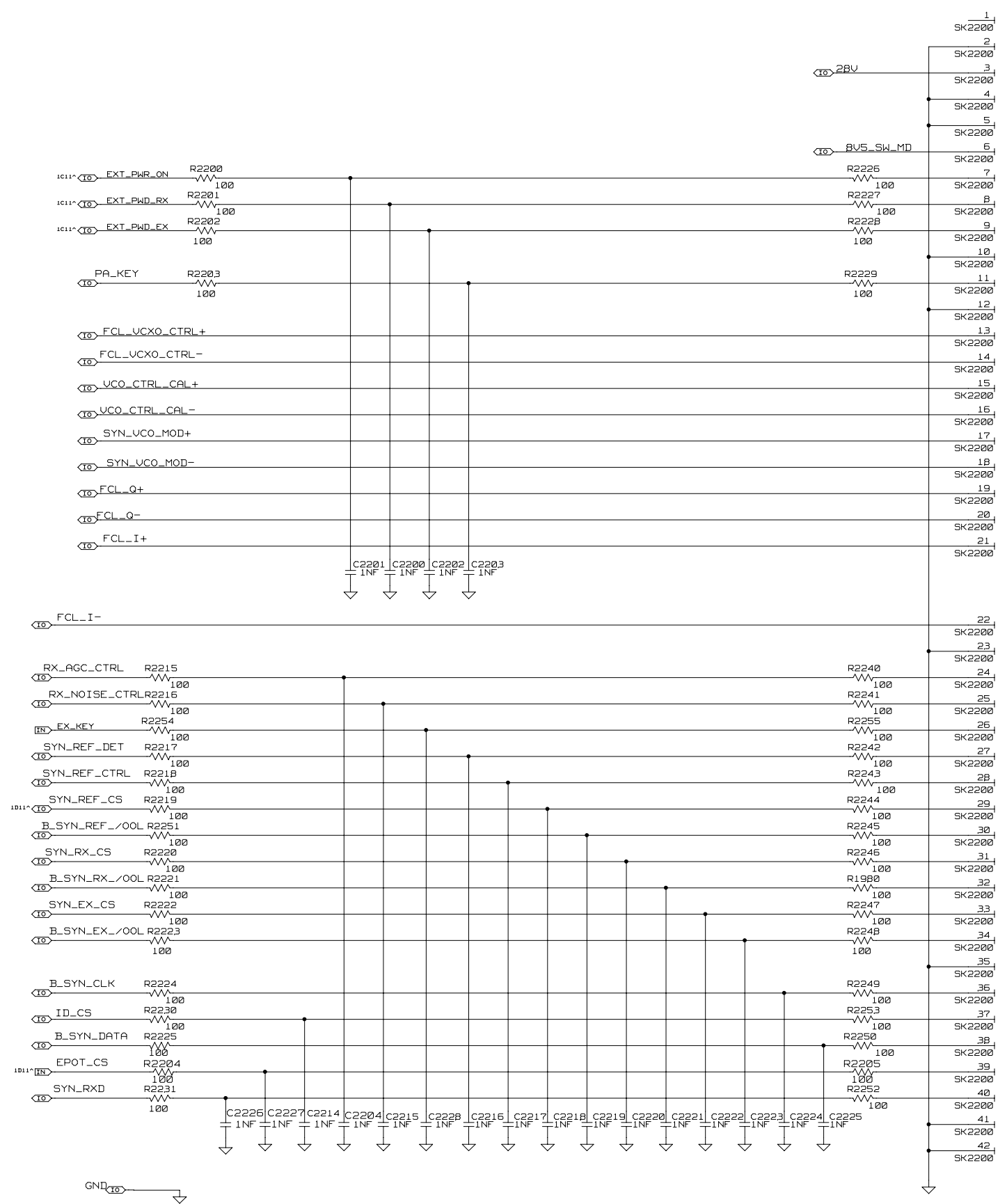
© TAIT ELECTRONICS		A1
TB8100 SYSTEM CONNECTOR		
IPN: 220-02024-19	ISSUE: 19A	VARIANT NUMBER: ?
FILE DATE: Mon May 02 16:19:01 2005		
ENGINEER: SH	FILE NAME: 220_02024	SHEET NUMBER: 15 OF 18

REV/ISS	AMENDMENTS	DRAWN	CHKD	D. O.	APVD	DATE
1						



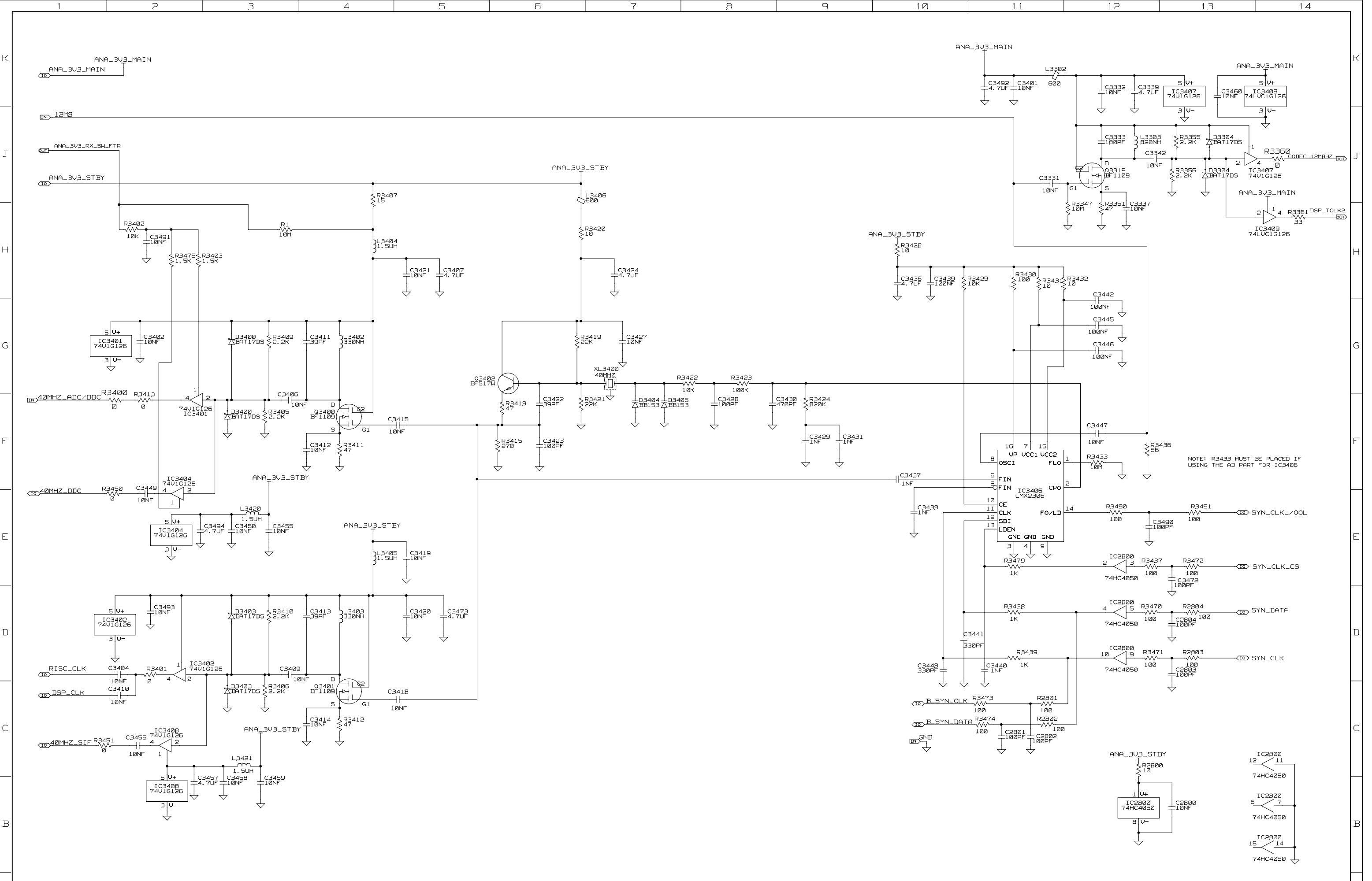
© TAIT ELECTRONICS		A1
TBS100 FILT		
IPN: 220-02024-19	ISSUE: 19A	VARIANT NUMBER: ?
FILE DATE: Mon May 02 16:19:04 2005		
ENGINEER: SH	FILE NAME: 220_02024	SHEET NUMBER: 16 OF 18

REV/ISS	AMENDMENTS	DRAWN	CHKD	D. O.	APVD	DATE
1	2	3	4	5	6	7



© TAIT ELECTRONICS		A1
TB8100 DIG_CONN		
IPN: 220-02024-19	ISSUE: 19A	VARIANT NUMBER: ?
FILE DATE: Mon May 02 16:19:06 2005		
ENGINEER: SH	FILE NAME: 220_02024	SHEET NUMBER: 17 OF 18

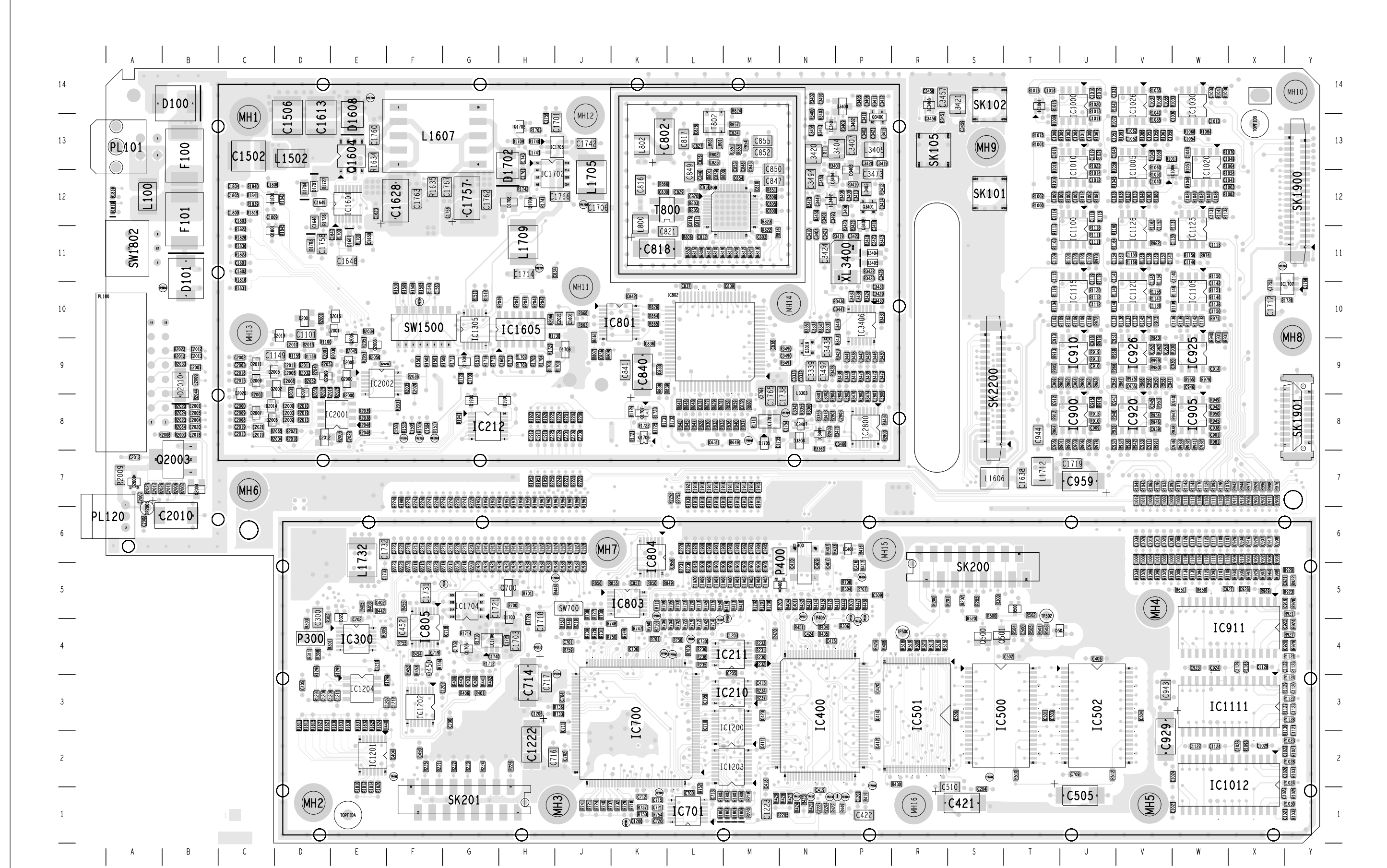
REV/ISS	AMENDMENTS	DRAWN	CHKD	D. O.	APVD	DATE
1						
2						
3						
4						
5						
6						
7						
8						
9						
10						
11						
12						
13						
14						



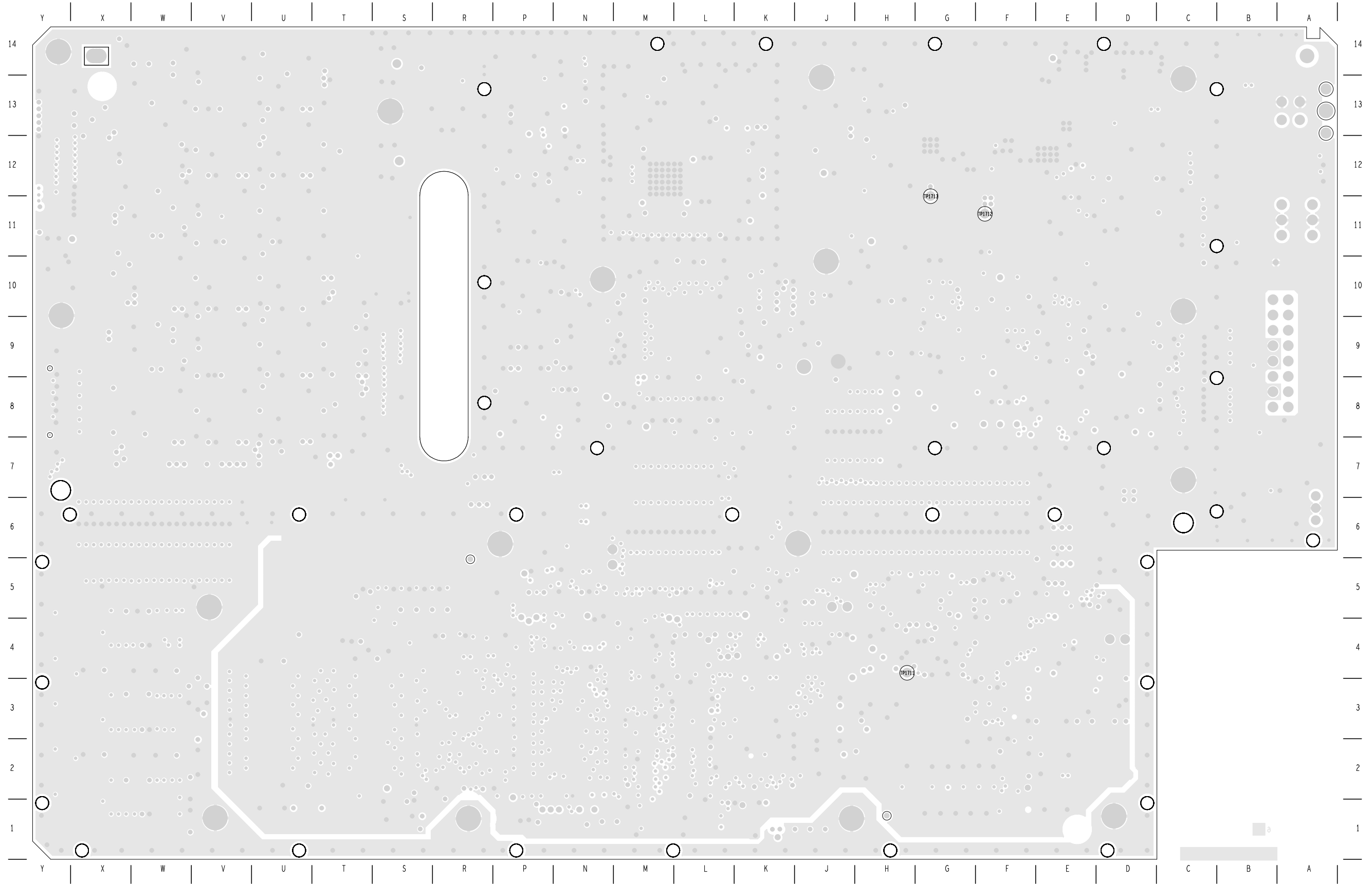
NOTE: R3433 MUST BE PLACED IF USING THE AD PART FOR IC3406

© TAIT ELECTRONICS		A1
T88100		
ANALOG CLOCK SYNTH		
IPN:	ISSUE:	VARIANT NUMBER:
220-02024-19	19A	?
FILE DATE: Mon May 02 16:19:08 2005		
ENGINEER:	FILE NAME:	SHEET NUMBER:
SH	220_02024	18 OF 18

REV/ISS	AMENDMENTS	DRAWN	CHKD	D. O.	APVD	DATE
1						
2						
3						
4						
5						
6						
7						
8						
9						
10						
11						
12						
13						
14						



TAIT ELECTRONICS IPN: 220-02024-19 ISS: A DATE: 18Apr05 SCALE: NTS
 TB8100 Digital Reciter LAYOUT-PRIMARY-SIDE



TAIT ELECTRONICS	IPN: 220-02024-19	ISS: A	DATE: 18Apr05	SCALE: NTS
TB8100 Digital Reciter LAYOUT-SECONDARY-SIDE				